

## **Overview of Testing Results for Lead in Drinking Water and Corrective Actions for Naval Station Norfolk CDC (Building WB200)**

The Navy is committed to maintaining safe drinking water on its installations. City water supplied to the Navy and the Navy's water distribution system is regularly tested and in compliance with the Safe Drinking Water Act. Because lead exposure is a particular concern for children, and lead may be added to drinking water through the pipes, fittings, solder, and fixtures inside a building, the Environmental Protection Agency (EPA) recommends, but does not mandate, that we test the lead content of drinking water in priority areas such as youth centers (YCs), child development group homes (CDGHs), and child development centers (CDCs). The Navy has adopted the recommendation as policy.

Navy environmental personnel conducted lead testing at the Naval Station Norfolk CDC in accordance with Navy and EPA guidelines. Samples from various locations in the CDC were sent to a state-certified laboratory for analysis.

At the Naval Station Norfolk CDC, outlets used for drinking, cooking, and washing were tested. Out of **105** samples collected, no water outlets tested above the EPA-recommended screening level for lead in drinking water in schools and childcare centers of 20 parts per billion (ppb).

A copy of all test results is enclosed for your information. The test results are presented in two tables:

- Table 1 **Summary of Results** summarizes the data by category of use (e.g., drinking, cooking, washing).
- Table 2 **Summary Statistics** summarizes all the data.

A floor plan of the Naval Station Norfolk CDC has also been included to show the locations of the fixtures that were sampled.

**Table 1** provides a description of each sampling location using three columns; *Category*, *Sampling ID*, and *Outlet Description*. The *Category* column gives information about whether the outlet is used for drinking water (water fountain), cooking (food preparation), or washing (primarily hand-washing or brushing teeth). The *Sample ID* column is the identification used to label each sample bottle. The *Outlet Description* column contains additional information to describe the outlet sampled under each category.

The next set of columns in **Table 1** provide *Initial Sampling Results*, and for those locations that exceeded the recommended screening level of 20 ppb the *Re-sampling Results*.

EPA sampling protocol requires water to not be used for between 8 and 18 hours prior to first draw sampling. Therefore, *Initial Sampling Results* were from first draw samples collected early in the morning before the CDC opened and before any water was used. The *Initial Sampling Results* also indicate whether resampling is required and the date that fixtures greater than 20 ppb were secured.

The *Re-sampling Results*, *Corrective Actions*, and *Post Remediation Sampling Results* columns are annotated N/A (not applicable) since all the samples at the Naval Station Norfolk CDC were within EPA recommended levels.

To learn more about lead in drinking water in schools and day care centers visit the following EPA website: <https://www.epa.gov/dwreginfo/lead-drinking-water-schools-and-child-care-facilities>.

To learn more about your home's public water supplier, see their annual water quality report: [https://www.cnic.navy.mil/regions/cnrma/om/environmental\\_support/water\\_quality\\_information.html](https://www.cnic.navy.mil/regions/cnrma/om/environmental_support/water_quality_information.html)

To answer any questions you may have on the sampling program contact, please contact us at 757-677-6642. If you have any health questions or concerns, you are encouraged to contact your health care provider or, if you are a TRICARE beneficiary, use the Mid-Atlantic Appointment Center to schedule an appointment with your primary care provider at 1-866-645-4584.

Enclosures:

1. Complete Test Results
2. Floor Plan of the Naval Station Norfolk CDC

**Sample Summary Results Table**  
**Priority Areas Lead Testing and Corrective Actions (October 2017)**  
**NSN Child Development Center, Building WB200**

**Table 1. Summary of Results**

SAMPLING LOCATION DESCRIPTION					INITIAL SAMPLING RESULTS			RE-SAMPLING RESULTS			CORRECTIVE ACTIONS	POST REMEDIATION SAMPLING	
CATEGORY	SAMPLE ID NO.	SAMPLE ID	Outlet Description	Comments	First Draw (ppb)	Retest required?	Date Fixture Secured?	Lead Screening Level of 20ppb				Description	Recommended Level = 20ppb
								Water Fountain 15 min. Follow up Flush Sample - Collected day before First Draw Sampling (ppb)	First Draw (ppb)	Follow up Flush - Collected 30 seconds after First Draw Sampling (ppb)	First Draw (ppb)		Follow up Flush - Collected 30 seconds after First Draw Sampling (ppb)
<b>SAMPLING DATE</b>					<b>10/20/2017</b>			N/A	N/A	N/A		N/A	
<b>RESULTS DATE</b>					<b>10/30/2017</b>			N/A	N/A	N/A		N/A	
DRINKING	41	NS-WB200-LOUNGE-K-FD	Kitchen sink in Staff Lounge		1	N/A	N/A	N/A	N/A	N/A	N/A	N/A	N/A
DRINKING	42	NS-WB200-HALL-WFBA-FD	Water fountain bubbler in hallway (high)		non-detect	N/A	N/A	N/A	N/A	N/A	N/A	N/A	N/A
DRINKING	43	NS-WB200-HALL-WFBB-FD	Water fountain bubbler in hallway (low)		non-detect	N/A	N/A	N/A	N/A	N/A	N/A	N/A	N/A
DRINKING	55	NS-WB200-RM138-WFCOMB-FD	Water fountain outlet from combination sink in Preschool Room 138		non-detect	N/A	N/A	N/A	N/A	N/A	N/A	N/A	N/A
DRINKING	49	NS-WB200-RM136-WFCOMB-FD	Water fountain outlet from combination sink in Preschool Room 136		non-detect	N/A	N/A	N/A	N/A	N/A	N/A	N/A	N/A
DRINKING	61	NS-WB200-RM140-WFCOMB-FD	Water fountain outlet from combination sink in Preschool Room 140	sample collected 10/27/17; results received 11/6/17	non-detect	N/A	N/A	N/A	N/A	N/A	N/A	N/A	N/A
DRINKING	67	NS-WB200-RM142-WFCOMB-FD	Water fountain outlet from combination sink in Preschool Room 142		non-detect	N/A	N/A	N/A	N/A	N/A	N/A	N/A	N/A
DRINKING	74	NS-WB200-K-KC-FD	Kitchen sink used for food preparation, dishwashing, and to fill water jugs		non-detect	N/A	N/A	N/A	N/A	N/A	N/A	N/A	N/A
DRINKING	80	NS-WB200-RM139-WFCOMB-FD	Water fountain outlet from combination sink in Toddler Room 139		1	N/A	N/A	N/A	N/A	N/A	N/A	N/A	N/A
DRINKING	86	NS-WB200-RM137-WFCOMB-FD	Water fountain outlet from combination sink in Toddler Room 137		non-detect	N/A	N/A	N/A	N/A	N/A	N/A	N/A	N/A
DRINKING	92	NS-WB200-RM135-WFCOMB-FD	Water fountain outlet from combination sink in Toddler Room 135		non-detect	N/A	N/A	N/A	N/A	N/A	N/A	N/A	N/A
DRINKING	98	NS-WB200-RM133-WFCOMB-FD	Water fountain outlet from combination sink in Toddler Room 133		2	N/A	N/A	N/A	N/A	N/A	N/A	N/A	N/A
DRINKING	104	NS-WB200-RM129-WFCOMB-FD	Water fountain outlet from combination sink in Toddler Room 129		non-detect	N/A	N/A	N/A	N/A	N/A	N/A	N/A	N/A
COOKING	72	NS-WB200-K-KA-FD	Kitchen sink used for food preparation and dishwashing		2	N/A	N/A	N/A	N/A	N/A	N/A	N/A	N/A
COOKING	73	NS-WB200-K-KB-FD	Kitchen sink used for handwashing and food preparation		non-detect	N/A	N/A	N/A	N/A	N/A	N/A	N/A	N/A
WASHING	1	NS-WB200-BATHA-HHW-FD	High handwashing faucet in Restroom A		non-detect	N/A	N/A	N/A	N/A	N/A	N/A	N/A	N/A
WASHING	2	NS-WB200-RM113-HHW-FD	High handwashing faucet in Infant Room 113		non-detect	N/A	N/A	N/A	N/A	N/A	N/A	N/A	N/A
WASHING	3	NS-WB200-BATH113-HHW-FD	High handwashing faucet in restroom within Infant Room 113		non-detect	N/A	N/A	N/A	N/A	N/A	N/A	N/A	N/A
WASHING	4	NS-WB200-RM115-HHW-FD	High handwashing faucet in Infant Room 115		non-detect	N/A	N/A	N/A	N/A	N/A	N/A	N/A	N/A
WASHING	5	NS-WB200-BATH115-HHW-FD	High handwashing faucet in restroom within Infant Room 115		1	N/A	N/A	N/A	N/A	N/A	N/A	N/A	N/A

SAMPLING LOCATION DESCRIPTION					INITIAL SAMPLING RESULTS			RE-SAMPLING RESULTS			CORRECTIVE ACTIONS	POST REMEDIATION SAMPLING	
CATEGORY	SAMPLE ID NO.	SAMPLE ID	Outlet Description	Comments	Lead Screening Level of 20ppb						Description	Recommended Level = 20ppb	
					First Draw (ppb)	Retest required?	Date Fixture Secured?	Water Fountain 15 min. Follow up Flush Sample - Collected day before First Draw Sampling (ppb)	First Draw (ppb)	Follow up Flush - Collected 30 seconds after First Draw Sampling (ppb)		First Draw (ppb)	Follow up Flush - Collected 30 seconds after First Draw Sampling (ppb)
<b>SAMPLING DATE</b>					<b>10/20/2017</b>			<b>N/A</b>	<b>N/A</b>	<b>N/A</b>			<b>N/A</b>
<b>RESULTS DATE</b>					<b>10/30/2017</b>			<b>N/A</b>	<b>N/A</b>	<b>N/A</b>			<b>N/A</b>
WASHING	8	NS-WB200-RM119-HHW-FD	High handwashing faucet in Infant Room 119		non-detect	N/A	N/A	N/A	N/A	N/A	N/A	N/A	N/A
WASHING	9	NS-WB200-BATH119-HHW-FD	High handwashing faucet in restroom within Infant Room 119		non-detect	N/A	N/A	N/A	N/A	N/A	N/A	N/A	N/A
WASHING	10	NS-WB200-RM121-HHW-FD	High handwashing faucet in Infant Room 121		non-detect	N/A	N/A	N/A	N/A	N/A	N/A	N/A	N/A
WASHING	11	NS-WB200-BATH121-HHW-FD	High handwashing faucet in restroom within Infant Room 121		1	N/A	N/A	N/A	N/A	N/A	N/A	N/A	N/A
WASHING	12	NS-WB200-RM123-HHW-FD	High handwashing faucet in Infant Room 123		non-detect	N/A	N/A	N/A	N/A	N/A	N/A	N/A	N/A
WASHING	13	NS-WB200-BATH123-HHW-FD	High handwashing faucet in restroom within Infant Room 123		non-detect	N/A	N/A	N/A	N/A	N/A	N/A	N/A	N/A
WASHING	14	NS-WB200-RM125-HHW-FD	High handwashing faucet in Infant Room 125		1	N/A	N/A	N/A	N/A	N/A	N/A	N/A	N/A
WASHING	15	NS-WB200-BATH125-HHW-FD	High handwashing faucet in restroom within Infant Room 125		non-detect	N/A	N/A	N/A	N/A	N/A	N/A	N/A	N/A
WASHING	16	NS-WB200-RM127-HHW-FD	High handwashing faucet in Infant Room 127		non-detect	N/A	N/A	N/A	N/A	N/A	N/A	N/A	N/A
WASHING	17	NS-WB200-BATH127-HHW-FD	High handwashing faucet in restroom within Infant Room 127		non-detect	N/A	N/A	N/A	N/A	N/A	N/A	N/A	N/A
WASHING	18	NS-WB200-RM126-HHW-FD	High handwashing faucet (used for teeth brushing) in Pre-Toddler Room 126		non-detect	N/A	N/A	N/A	N/A	N/A	N/A	N/A	N/A
WASHING	19	NS-WB200-BATH126-HHW-FD	High handwashing faucet in restroom within Pre-Toddler Room 126		non-detect	N/A	N/A	N/A	N/A	N/A	N/A	N/A	N/A
WASHING	20	NS-WB200-BATH126-LHW-FD	Low handwashing faucet in restroom within Pre-Toddler Room 126		non-detect	N/A	N/A	N/A	N/A	N/A	N/A	N/A	N/A
WASHING	21	NS-WB200-RM124-HHW-FD	High handwashing faucet (used for teeth brushing) in Pre-Toddler Room 124		2	N/A	N/A	N/A	N/A	N/A	N/A	N/A	N/A
WASHING	22	NS-WB200-BATH124-HHW-FD	High handwashing faucet in restroom within Pre-Toddler Room 124		non-detect	N/A	N/A	N/A	N/A	N/A	N/A	N/A	N/A
WASHING	23	NS-WB200-BATH124-LHW-FD	Low handwashing faucet in restroom within Pre-Toddler Room 124		non-detect	N/A	N/A	N/A	N/A	N/A	N/A	N/A	N/A
WASHING	24	NS-WB200-RM122-HHW-FD	High handwashing faucet (used for teeth brushing) in Pre-Toddler Room 122		10	N/A	N/A	N/A	N/A	N/A	N/A	N/A	N/A
WASHING	25	NS-WB200-BATH122-HHW-FD	High handwashing faucet in restroom within Pre-Toddler Room 122		non-detect	N/A	N/A	N/A	N/A	N/A	N/A	N/A	N/A
WASHING	26	NS-WB200-BATH122-LHW-FD	Low handwashing faucet in restroom within Pre-Toddler Room 122		non-detect	N/A	N/A	N/A	N/A	N/A	N/A	N/A	N/A
WASHING	27	NS-WB200-RM120-HHW-FD	High handwashing faucet (used for teeth brushing) in Pre-Toddler Room 120		2	N/A	N/A	N/A	N/A	N/A	N/A	N/A	N/A

SAMPLING LOCATION DESCRIPTION					INITIAL SAMPLING RESULTS			RE-SAMPLING RESULTS			CORRECTIVE ACTIONS	POST REMEDIATION SAMPLING	
CATEGORY	SAMPLE ID NO.	SAMPLE ID	Outlet Description	Comments	Lead Screening Level of 20ppb						Description	Recommended Level = 20ppb	
					First Draw (ppb)	Retest required?	Date Fixture Secured?	Water Fountain 15 min. Follow up Flush Sample - Collected day before First Draw Sampling (ppb)	First Draw (ppb)	Follow up Flush - Collected 30 seconds after First Draw Sampling (ppb)		First Draw (ppb)	Follow up Flush - Collected 30 seconds after First Draw Sampling (ppb)
<b>SAMPLING DATE</b>					10/20/2017			N/A	N/A	N/A		N/A	
					10/30/2017			N/A	N/A	N/A		N/A	
WASHING	28	NS-WB200-BATH120-HHW-FD	High handwashing faucet in restroom within Pre-Toddler Room 120		non-detect	N/A	N/A	N/A	N/A	N/A	N/A	N/A	N/A
WASHING	29	NS-WB200-BATH120-LHW-FD	Low handwashing faucet in restroom within Pre-Toddler Room 120		non-detect	N/A	N/A	N/A	N/A	N/A	N/A	N/A	N/A
WASHING	30	NS-WB200-RM118-HHW-FD	High handwashing faucet (used for teeth brushing) in Pre-Toddler Room 118		1	N/A	N/A	N/A	N/A	N/A	N/A	N/A	N/A
WASHING	31	NS-WB200-BATH118-HHW-FD	High handwashing faucet in restroom within Pre-Toddler Room 118		non-detect	N/A	N/A	N/A	N/A	N/A	N/A	N/A	N/A
WASHING	32	NS-WB200-BATH118-LHW-FD	Low handwashing faucet in restroom within Pre-Toddler Room 118		non-detect	N/A	N/A	N/A	N/A	N/A	N/A	N/A	N/A
WASHING	33	NS-WB200-RM116-HHW-FD	High handwashing faucet (used for teeth brushing) in Pre-Toddler Room 116		non-detect	N/A	N/A	N/A	N/A	N/A	N/A	N/A	N/A
WASHING	34	NS-WB200-BATH116-HHW-FD	High handwashing faucet in restroom within Pre-Toddler Room 116		non-detect	N/A	N/A	N/A	N/A	N/A	N/A	N/A	N/A
WASHING	35	NS-WB200-BATH116-LHW-FD	Low handwashing faucet in restroom within Pre-Toddler Room 116		2	N/A	N/A	N/A	N/A	N/A	N/A	N/A	N/A
WASHING	36	NS-WB200-RM114-HHW-FD	High handwashing faucet (used for teeth brushing) in Pre-Toddler Room 114		non-detect	N/A	N/A	N/A	N/A	N/A	N/A	N/A	N/A
WASHING	37	NS-WB200-BATH114-HHW-FD	High handwashing faucet in restroom within Pre-Toddler Room 114		1	N/A	N/A	N/A	N/A	N/A	N/A	N/A	N/A
WASHING	38	NS-WB200-BATH114-LHWA-FD	Low handwashing faucet in restroom within Pre-Toddler Room 114		1	N/A	N/A	N/A	N/A	N/A	N/A	N/A	N/A
WASHING	39	NS-WB200-BATH114-LHWB-FD	Low handwashing faucet in restroom within Pre-Toddler Room 114		non-detect	N/A	N/A	N/A	N/A	N/A	N/A	N/A	N/A
WASHING	40	NS-WB200-BATHB-HHW-FD	High handwashing faucet in Restroom B		non-detect	N/A	N/A	N/A	N/A	N/A	N/A	N/A	N/A
WASHING	44	NS-WB200-BATHC-HHW-FD	High handwashing faucet in Restroom C		non-detect	N/A	N/A	N/A	N/A	N/A	N/A	N/A	N/A
WASHING	45	NS-WB200-BATHD-HHW-FD	High handwashing faucet in Restroom D		2	N/A	N/A	N/A	N/A	N/A	N/A	N/A	N/A
WASHING	47	NS-WB200-RM136-HHW-FD	High handwashing faucet in Preschool Room 136		1	N/A	N/A	N/A	N/A	N/A	N/A	N/A	N/A
WASHING	48	NS-WB200-RM136-HWCOMB-FD	Low handwashing faucet from combination sink (used for teeth brushing) in Preschool Room 136		non-detect	N/A	N/A	N/A	N/A	N/A	N/A	N/A	N/A
WASHING	50	NS-WB200-BATH136-HHW-FD	High handwashing faucet in restroom within Preschool Room 136		3	N/A	N/A	N/A	N/A	N/A	N/A	N/A	N/A
WASHING	51	NS-WB200-BATH136-LHWA-FD	Low handwashing faucet in restroom within Preschool Room 136		non-detect	N/A	N/A	N/A	N/A	N/A	N/A	N/A	N/A
WASHING	52	NS-WB200-BATH136-LHWB-FD	Low handwashing faucet in restroom within Preschool Room 136		non-detect	N/A	N/A	N/A	N/A	N/A	N/A	N/A	N/A
WASHING	53	NS-WB200-RM138-HHW-FD	High handwashing faucet in Preschool Room 138		non-detect	N/A	N/A	N/A	N/A	N/A	N/A	N/A	N/A

SAMPLING LOCATION DESCRIPTION					INITIAL SAMPLING RESULTS			RE-SAMPLING RESULTS			CORRECTIVE ACTIONS	POST REMEDIATION SAMPLING	
CATEGORY	SAMPLE ID NO.	SAMPLE ID	Outlet Description	Comments	First Draw (ppb)	Retest required?	Date Fixture Secured?	Lead Screening Level of 20ppb			Description	Recommended Level = 20ppb	
								Water Fountain 15 min. Follow up Flush Sample - Collected day before First Draw Sampling (ppb)	First Draw (ppb)	Follow up Flush - Collected 30 seconds after First Draw Sampling (ppb)		First Draw (ppb)	Follow up Flush - Collected 30 seconds after First Draw Sampling (ppb)
<b>SAMPLING DATE</b>					<b>10/20/2017</b>			<b>N/A</b>	<b>N/A</b>	<b>N/A</b>		<b>N/A</b>	
<b>RESULTS DATE</b>					<b>10/30/2017</b>			<b>N/A</b>	<b>N/A</b>	<b>N/A</b>		<b>N/A</b>	
WASHING	54	NS-WB200-RM138-HWCOMB-FD	Low handwashing faucet from combination sink (used for teeth brushing) in Preschool Room 138		non-detect	N/A	N/A	N/A	N/A	N/A	N/A	N/A	N/A
WASHING	56	NS-WB200-BATH138-HHW-FD	High handwashing faucet in restroom within Preschool Room 138		non-detect	N/A	N/A	N/A	N/A	N/A	N/A	N/A	N/A
WASHING	57	NS-WB200-BATH138-LHWA-FD	Low handwashing faucet in restroom within Preschool Room 138		non-detect	N/A	N/A	N/A	N/A	N/A	N/A	N/A	N/A
WASHING	58	NS-WB200-BATH138-LHWB-FD	Low handwashing faucet in restroom within Preschool Room 138		non-detect	N/A	N/A	N/A	N/A	N/A	N/A	N/A	N/A
WASHING	59	NS-WB200-RM140-HHW-FD	High handwashing faucet in Preschool Room 140		non-detect	N/A	N/A	N/A	N/A	N/A	N/A	N/A	N/A
WASHING	60	NS-WB200-RM140-HWCOMB-FD	Low handwashing faucet from combination sink (used for teeth brushing) in Preschool Room 140		non-detect	N/A	N/A	N/A	N/A	N/A	N/A	N/A	N/A
WASHING	62	NS-WB200-BATH140-HHW-FD	High handwashing faucet in restroom within Preschool Room 140		non-detect	N/A	N/A	N/A	N/A	N/A	N/A	N/A	N/A
WASHING	63	NS-WB200-BATH140-LHWA-FD	Low handwashing faucet in restroom within Preschool Room 140		non-detect	N/A	N/A	N/A	N/A	N/A	N/A	N/A	N/A
WASHING	64	NS-WB200-BATH140-LHWB-FD	Low handwashing faucet in restroom within Preschool Room 140		non-detect	N/A	N/A	N/A	N/A	N/A	N/A	N/A	N/A
WASHING	65	NS-WB200-RM142-HHW-FD	High handwashing faucet in Preschool Room 142		non-detect	N/A	N/A	N/A	N/A	N/A	N/A	N/A	N/A
WASHING	66	NS-WB200-RM142-HWCOMB-FD	Low handwashing faucet from combination sink (used for teeth brushing) in Preschool Room 142		non-detect	N/A	N/A	N/A	N/A	N/A	N/A	N/A	N/A
WASHING	68	NS-WB200-BATH142-HHW-FD	High handwashing faucet in restroom within Preschool Room 142		non-detect	N/A	N/A	N/A	N/A	N/A	N/A	N/A	N/A
WASHING	69	NS-WB200-BATH142-LHWA-FD	Low handwashing faucet in restroom within Preschool Room 142		3	N/A	N/A	N/A	N/A	N/A	N/A	N/A	N/A
WASHING	70	NS-WB200-BATH142-LHWB-FD	Low handwashing faucet in restroom within Preschool Room 142		non-detect	N/A	N/A	N/A	N/A	N/A	N/A	N/A	N/A
WASHING	77	NS-WB200-BATHE-HHW-FD	High handwashing faucet in Restroom E		1	N/A	N/A	N/A	N/A	N/A	N/A	N/A	N/A
WASHING	78	NS-WB200-RM139-HHW-FD	High handwashing faucet in Toddler Room 139		non-detect	N/A	N/A	N/A	N/A	N/A	N/A	N/A	N/A
WASHING	79	NS-WB200-RM139-HWCOMB-FD	Low handwashing faucet from combination sink (used for teeth brushing) in Toddler Room 139		non-detect	N/A	N/A	N/A	N/A	N/A	N/A	N/A	N/A
WASHING	81	NS-WB200-BATH139-HHW-FD	High handwashing faucet in restroom within Toddler Room 139		non-detect	N/A	N/A	N/A	N/A	N/A	N/A	N/A	N/A
WASHING	82	NS-WB200-BATH139-LHWA-FD	Low handwashing faucet in restroom within Toddler Room 139		non-detect	N/A	N/A	N/A	N/A	N/A	N/A	N/A	N/A

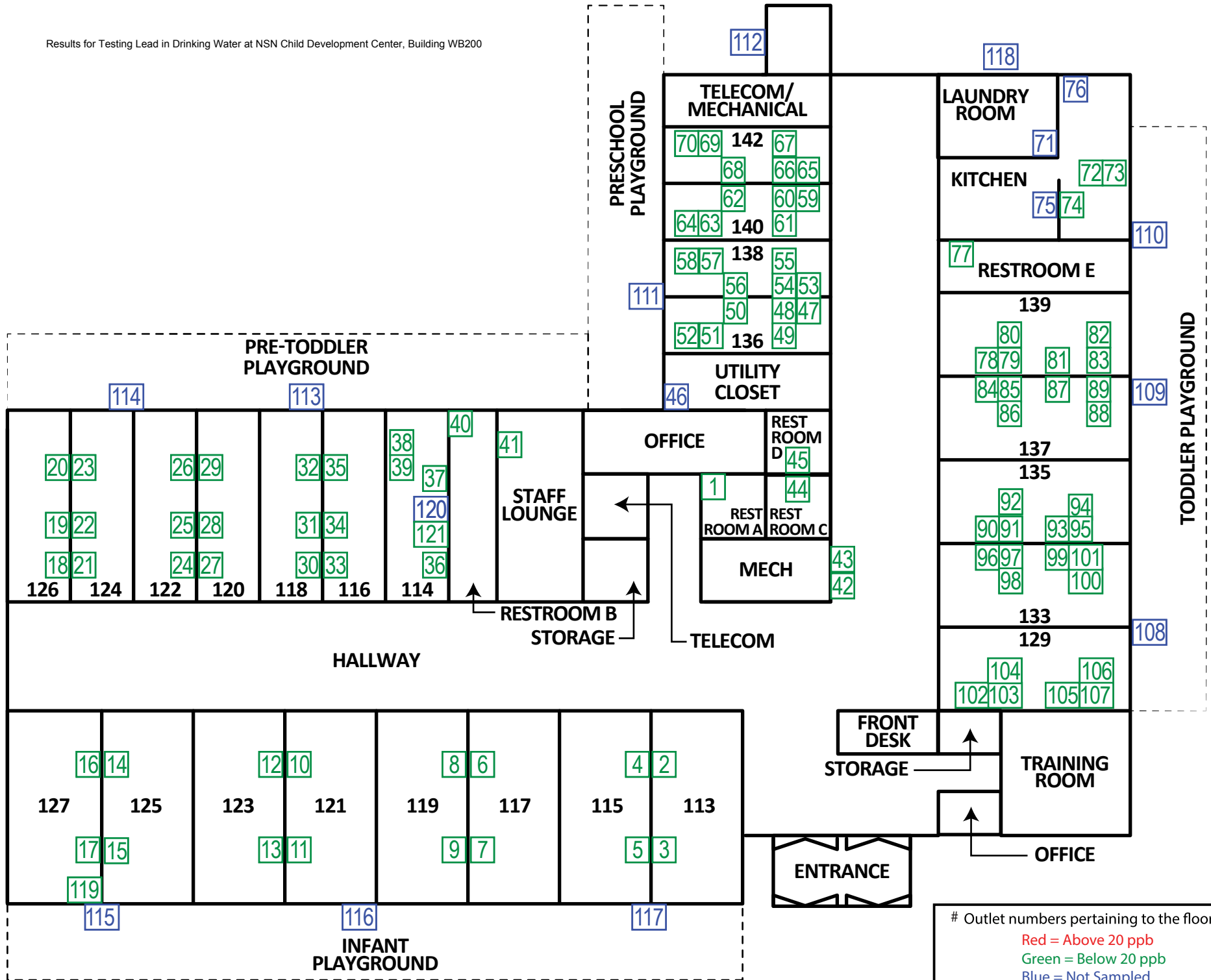
SAMPLING LOCATION DESCRIPTION					INITIAL SAMPLING RESULTS			RE-SAMPLING RESULTS			CORRECTIVE ACTIONS	POST REMEDIATION SAMPLING	
CATEGORY	SAMPLE ID NO.	SAMPLE ID	Outlet Description	Comments	Lead Screening Level of 20ppb						Description	Recommended Level = 20ppb	
					First Draw (ppb)	Retest required?	Date Fixture Secured?	Water Fountain 15 min. Follow up Flush Sample - Collected day before First Draw Sampling (ppb)	First Draw (ppb)	Follow up Flush - Collected 30 seconds after First Draw Sampling (ppb)		First Draw (ppb)	Follow up Flush - Collected 30 seconds after First Draw Sampling (ppb)
<b>SAMPLING DATE</b>					10/20/2017			N/A	N/A	N/A		N/A	
<b>RESULTS DATE</b>					10/30/2017			N/A	N/A	N/A		N/A	
WASHING	83	NS-WB200-BATH139-LHWB-FD	Low handwashing faucet in restroom within Toddler Room 139		1	N/A	N/A	N/A	N/A	N/A	N/A	N/A	N/A
WASHING	84	NS-WB200-RM137-HHW-FD	High handwashing faucet in Toddler Room 137		1	N/A	N/A	N/A	N/A	N/A	N/A	N/A	N/A
WASHING	85	NS-WB200-RM137-HWCOMB-FD	Low handwashing faucet from combination sink (used for teeth brushing) in Toddler Room 137		non-detect	N/A	N/A	N/A	N/A	N/A	N/A	N/A	N/A
WASHING	87	NS-WB200-BATH137-HHW-FD	High handwashing faucet in restroom within Toddler Room 137		non-detect	N/A	N/A	N/A	N/A	N/A	N/A	N/A	N/A
WASHING	88	NS-WB200-BATH137-LHWA-FD	Low handwashing faucet in restroom within Toddler Room 137		2	N/A	N/A	N/A	N/A	N/A	N/A	N/A	N/A
WASHING	89	NS-WB200-BATH137-LHWB-FD	Low handwashing faucet in restroom within Toddler Room 137		non-detect	N/A	N/A	N/A	N/A	N/A	N/A	N/A	N/A
WASHING	90	NS-WB200-RM135-HHW-FD	High handwashing faucet in Toddler Room 135		non-detect	N/A	N/A	N/A	N/A	N/A	N/A	N/A	N/A
WASHING	91	NS-WB200-RM135-HWCOMB-FD	Low handwashing faucet from combination sink (used for teeth brushing) in Toddler Room 135		6	N/A	N/A	N/A	N/A	N/A	N/A	N/A	N/A
WASHING	93	NS-WB200-BATH135-HHW-FD	High handwashing faucet in restroom within Toddler Room 135		non-detect	N/A	N/A	N/A	N/A	N/A	N/A	N/A	N/A
WASHING	94	NS-WB200-BATH135-LHWA-FD	Low handwashing faucet in restroom within Toddler Room 135		non-detect	N/A	N/A	N/A	N/A	N/A	N/A	N/A	N/A
WASHING	95	NS-WB200-BATH135-LHWB-FD	Low handwashing faucet in restroom within Toddler Room 135		1	N/A	N/A	N/A	N/A	N/A	N/A	N/A	N/A
WASHING	96	NS-WB200-RM133-HHW-FD	High handwashing faucet in Toddler Room 133		non-detect	N/A	N/A	N/A	N/A	N/A	N/A	N/A	N/A
WASHING	97	NS-WB200-RM133-HWCOMB-FD	Low handwashing faucet from combination sink (used for teeth brushing) in Toddler Room 133		1	N/A	N/A	N/A	N/A	N/A	N/A	N/A	N/A
WASHING	99	NS-WB200-BATH133-HHW-FD	High handwashing faucet in restroom within Toddler Room 133		non-detect	N/A	N/A	N/A	N/A	N/A	N/A	N/A	N/A
WASHING	100	NS-WB200-BATH133-LHWA-FD	Low handwashing faucet in restroom within Toddler Room 133		non-detect	N/A	N/A	N/A	N/A	N/A	N/A	N/A	N/A
WASHING	101	NS-WB200-BATH133-LHWB-FD	Low handwashing faucet in restroom within Toddler Room 133		non-detect	N/A	N/A	N/A	N/A	N/A	N/A	N/A	N/A
WASHING	102	NS-WB200-RM129-HHW-FD	High handwashing faucet in Toddler Room 129		non-detect	N/A	N/A	N/A	N/A	N/A	N/A	N/A	N/A
WASHING	103	NS-WB200-RM129-HWCOMB-FD	Low handwashing faucet from combination sink (used for teeth brushing) in Toddler Room 129		non-detect	N/A	N/A	N/A	N/A	N/A	N/A	N/A	N/A

SAMPLING LOCATION DESCRIPTION					INITIAL SAMPLING RESULTS			RE-SAMPLING RESULTS			CORRECTIVE ACTIONS	POST REMEDIATION SAMPLING		
CATEGORY	SAMPLE ID NO.	SAMPLE ID	Outlet Description	Comments	Lead Screening Level of 20ppb							Description	Recommended Level = 20ppb	
					First Draw (ppb)	Retest required?	Date Fixture Secured?	Water Fountain 15 min. Follow up Flush Sample - Collected day before First Draw Sampling (ppb)	First Draw (ppb)	Follow up Flush - Collected 30 seconds after First Draw Sampling (ppb)	First Draw (ppb)		Follow up Flush - Collected 30 seconds after First Draw Sampling (ppb)	
<b>SAMPLING DATE</b>					10/20/2017			N/A	N/A	N/A		N/A		
<b>RESULTS DATE</b>					10/30/2017			N/A	N/A	N/A		N/A		
WASHING	105	NS-WB200-BATH129-HHW-FD	High handwashing faucet in restroom within Toddler Room 129		5	N/A	N/A	N/A	N/A	N/A	N/A	N/A	N/A	
WASHING	106	NS-WB200-BATH129-LHWA-FD	Low handwashing faucet in restroom within Toddler Room 129		non-detect	N/A	N/A	N/A	N/A	N/A	N/A	N/A	N/A	
WASHING	107	NS-WB200-BATH129-LHWB-FD	Low handwashing faucet in restroom within Toddler Room 129		non-detect	N/A	N/A	N/A	N/A	N/A	N/A	N/A	N/A	
WASHING	119	NS-WB200-BATH127-LHW-FD	Low handwashing faucet in restroom within Infant Room 127		1	N/A	N/A	N/A	N/A	N/A	N/A	N/A	N/A	
WASHING	121	NS-WB200-RM114-HWCOMB-FD	Low handwashing faucet from combination sink (used for teeth brushing) in Pre-Toddler Room 114		12	N/A	N/A	N/A	N/A	N/A	N/A	N/A	N/A	

Table 2. Summary Statistics

CATEGORY	INITIAL SAMPLING RESULTS		RE-SAMPLING RESULTS			POST
	Lead Screening Level of 20ppb					
	First Draw (ppb)		Water Fountain Follow up Flush Sample - Collected day before First Draw Sampling (ppb)	First Draw (ppb)	Follow up Flush - Collected 30 seconds after First Draw Sampling (ppb)	First Draw (ppb)
Total Drinking	13		N/A	N/A	N/A	N/A
Total Drinking > 20 ppb	0		N/A	N/A	N/A	N/A
Total Cooking	2		N/A	N/A	N/A	N/A
Total Cooking > 20 ppb	0		N/A	N/A	N/A	N/A
Total Washing	90		N/A	N/A	N/A	N/A
Total Washing > 20 ppb	0		N/A	N/A	N/A	N/A
Total Samples	105		N/A	N/A	N/A	N/A
Total Samples > 20 ppb	0		N/A	N/A	N/A	N/A





# Outlet numbers pertaining to the floor plan.  
 Red = Above 20 ppb  
 Green = Below 20 ppb  
 Blue = Not Sampled



No.	Type of Fixture	Location Description	Exceeded?
1	High handwashing faucet	Restroom A	No
2	High handwashing faucet	Infant Room 113	No
3	High handwashing faucet	Restroom within Infant Room 113	No
4	High handwashing faucet	Infant Room 115	No
5	High handwashing faucet	Restroom within Infant Room 115	No
6	High handwashing faucet	Infant Room 117	No
7	High handwashing faucet	Restroom within Infant Room 117	No
8	High handwashing faucet	Infant Room 119	No
9	High handwashing faucet	Restroom within Infant Room 119	No
10	High handwashing faucet	Infant Room 121	No
11	High handwashing faucet	Restroom within Infant Room 121	No
12	High handwashing faucet	Infant Room 123	No
13	High handwashing faucet	Restroom within Infant Room 123	No
14	High handwashing faucet	Infant Room 125	No
15	High handwashing faucet	Restroom within Infant Room 125	No
16	High handwashing faucet	Infant Room 127	No
17	High handwashing faucet	Restroom within Infant Room 127	No
18	High handwashing faucet (used for teeth brushing)	Pre-Toddler Room 126	No
19	High handwashing faucet	Restroom within Pre-Toddler Room 126	No
20	Low handwashing faucet	Restroom within Pre-Toddler Room 126	No
21	High handwashing faucet (used for teeth brushing)	Pre-Toddler Room 124	No
22	High handwashing faucet	Restroom within Pre-Toddler Room 124	No
23	Low handwashing faucet	Restroom within Pre-Toddler Room 124	No
24	High handwashing faucet (used for teeth brushing)	Pre-Toddler Room 122	No
25	High handwashing faucet	Restroom within Pre-Toddler Room 122	No
26	Low handwashing faucet	Restroom within Pre-Toddler Room 122	No
27	High handwashing faucet (used for teeth brushing)	Pre-Toddler Room 120	No
28	High handwashing faucet	Restroom within Pre-Toddler Room 120	No
29	Low handwashing faucet	Restroom within Pre-Toddler Room 120	No
30	High handwashing faucet (used for teeth brushing)	Pre-Toddler Room 118	No
31	High handwashing faucet	Restroom within Pre-Toddler Room 118	No
32	Low handwashing faucet	Restroom within Pre-Toddler Room 118	No
33	High handwashing faucet (used for teeth brushing)	Pre-Toddler Room 116	No
34	High handwashing faucet	Restroom within Pre-Toddler Room 116	No
35	Low handwashing faucet	Restroom within Pre-Toddler Room 116	No
36	High handwashing faucet (used for teeth brushing)	Pre-Toddler Room 114	No
37	High handwashing faucet	Restroom within Pre-Toddler Room 114	No
38	Low handwashing faucet	Restroom within Pre-Toddler Room 114	No
39	Low handwashing faucet	Restroom within Pre-Toddler Room 114	No
40	High handwashing faucet	Restroom B	No
41	Kitchen sink used for food preparation and dishwashing	Staff Lounge	No
42	Water fountain bubbler A (high)	Hallway	No

43	Water fountain bubbler B (low)	Hallway	No
44	High handwashing faucet	Restroom C	No
45	High handwashing faucet	Restroom D	No
46	Utility sink	Utility Room	Not Sampled
47	High handwashing faucet	Pre-School Room 136	No
48	Low handwashing faucet from combination sink (used for teeth brushing)	Pre-School Room 136	No
49	Water fountain outlet from combination sink	Pre-School Room 136	No
50	High handwashing faucet	Restroom within Pre-School Room 136	No
51	Low handwashing faucet	Restroom within Pre-School Room 136	No
52	Low handwashing faucet	Restroom within Pre-School Room 136	No
53	High handwashing faucet	Pre-School Room 138	No
54	Low handwashing faucet from combination sink (used for teeth brushing)	Pre-School Room 138	No
55	Water fountain outlet from combination sink	Pre-School Room 138	No
56	High handwashing faucet	Restroom within Pre-School Room 138	No
57	Low handwashing faucet	Restroom within Pre-School Room 138	No
58	Low handwashing faucet	Restroom within Pre-School Room 138	No
59	High handwashing faucet	Pre-School Room 140	No
60	Low handwashing faucet from combination sink (used for teeth brushing)	Pre-School Room 140	No
61	Water fountain outlet from combination sink	Pre-School Room 140	No
62	High handwashing faucet	Restroom within Pre-School Room 140	No
63	Low handwashing faucet	Restroom within Pre-School Room 140	No
64	Low handwashing faucet	Restroom within Pre-School Room 140	No
65	High handwashing faucet	Pre-School Room 142	No
66	Low handwashing faucet from combination sink (used for teeth brushing)	Pre-School Room 142	No
67	Water fountain outlet from combination sink	Pre-School Room 142	No
68	High handwashing faucet	Restroom within Pre-School Room 142	No
69	Low handwashing faucet	Restroom within Pre-School Room 142	No
70	Low handwashing faucet	Restroom within Pre-School Room 142	No
71	Utility sink	Laundry Room	Not Sampled
72	Kitchen sink used for food preparation and dishwashing	Kitchen	No
73	Kitchen sink used for handwashing and food preparation	Kitchen	No
74	Kitchen sink used for food preparation, dishwashing, and to fill water jugs	Kitchen	No
75	Dishwashing sprayer in Kitchen	Kitchen	Not Sampled
76	Utility sink	Kitchen	Not Sampled
77	High handwashing faucet	Restroom E	No
78	High handwashing faucet	Toddler Room 139	No
79	Low handwashing faucet from combination sink (used for teeth brushing)	Toddler Room 139	No
80	Water fountain outlet from combination sink	Toddler Room 139	No
81	High handwashing faucet	Restroom within Toddler Room 139	No
82	Low handwashing faucet	Restroom within Toddler Room 139	No
83	Low handwashing faucet	Restroom within Toddler Room 139	No
84	High handwashing faucet	Toddler Room 137	No
85	Low handwashing faucet from combination sink (used for teeth brushing)	Toddler Room 137	No

86	Water fountain outlet from combination sink	Toddler Room 137	No
87	High handwashing faucet	Restroom within Toddler Room 137	No
88	Low handwashing faucet	Restroom within Toddler Room 137	No
89	Low handwashing faucet	Restroom within Toddler Room 137	No
90	High handwashing faucet	Toddler Room 135	No
91	Low handwashing faucet from combination sink (used for teeth brushing)	Toddler Room 135	No
92	Water fountain outlet from combination sink	Toddler Room 135	No
93	High handwashing faucet	Restroom within Toddler Room 135	No
94	Low handwashing faucet	Restroom within Toddler Room 135	No
95	Low handwashing faucet	Restroom within Toddler Room 135	No
96	High handwashing faucet	Toddler Room 133	No
97	Low handwashing faucet from combination sink (used for teeth brushing)	Toddler Room 133	No
98	Water fountain outlet from combination sink	Toddler Room 133	No
99	High handwashing faucet	Restroom within Toddler Room 133	No
100	Low handwashing faucet	Restroom within Toddler Room 133	No
101	Low handwashing faucet	Restroom within Toddler Room 133	No
102	High handwashing faucet	Toddler Room 129	No
103	Low handwashing faucet from combination sink (used for teeth brushing)	Toddler Room 129	No
104	Water fountain outlet from combination sink	Toddler Room 129	No
105	High handwashing faucet	Restroom within Toddler Room 129	No
106	Low handwashing faucet	Restroom within Toddler Room 129	No
107	Low handwashing faucet	Restroom within Toddler Room 129	No
108	Hose bib in the Toddler Playground	Outside on north side of Building WB200	Not Sampled
109	Hose bib in the Toddler Playground	Outside on north side of Building WB200	Not Sampled
110	Hose bib in the Toddler Playground	Outside on north side of Building WB200	Not Sampled
111	Hose bib in the Pre-School Playground	Outside on west side of Building WB200	Not Sampled
112	Hose bib	Outside on northwest side of Building WB200	Not Sampled
113	Hose bib in the Pre-Toddler Playground	Outside on west side of Building WB200	Not Sampled
114	Hose bib in the Pre-Toddler Playground	Outside on west side of Building WB200	Not Sampled
115	Hose bib in the Infant Playground	Outside on east side of Building WB200	Not Sampled
116	Hose bib in the Infant Playground	Outside on east side of Building WB200	Not Sampled
117	Hose bib in the Infant Playground	Outside on east side of Building WB200	Not Sampled
118	Hose bib	Outside on northwest side of Building WB200	Not Sampled
119	Low handwashing faucet	Restroom within Infant Room 127	No
120	Water fountain outlet from combination sink (permanently disconnected)	Pre-Toddler Room 114	Not Sampled
121	Low handwashing faucet from combination sink (used for teeth brushing)	Pre-Toddler Room 114	No

# Outlet numbers pertaining to the floor plan.  
 Red = Above 20 ppb  
 Green = Below 20 ppb  
 Blue = Not Sampled